

A close-up photograph of a precision manufacturing process, likely CNC machining. A large, polished metal tool is cutting through a workpiece, creating a shower of bright metal chips. The scene is lit with dramatic, low-key lighting, highlighting the metallic surfaces and the dynamic action of the cut.

Manufacturing

Efficient solutions

From a single source

Contract Manufacturing

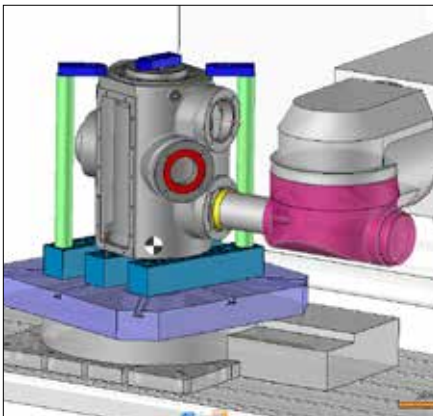
PERFORMANCE | REGISTRATIONS | CERTIFICATIONS

Performance

- Welding up to 32 tonnes unit weight
- Milling - X 14.000 mm x Y 4.000 mm
- Turning - outside diameter up to 2.300 mm or 4.000 mm
- Production of steel, aluminium and stainless steel components



Services



- Project planning
- Construction
- Manufacturing from 3D data
- Assembly of components
- Heat treatment
- Surface treatment



Registrations | Certifications

- Quality Management System ISO 9001 : 2015, Reg. No. QM 00732
- Paint penetrant testing stage 2 (PT) DIN EN ISO 9712; Cert. no. 39221 – PT 2
- Visual inspection level 2 (VT) DIN EN ISO 9712
- Re-stamping certificate 3.1 according to AD 200 Note HPO
- Welding construction certified according to
DIN EN ISO 3834-2, certification no. TÜV SÜD-W-0606.2017.003
and DIN EN 1090-2, EXC2, certification no. TÜV SÜD-00610.2017.003

INDIVIDUAL CUSTOMER REQUEST | FOR EXAMPLE

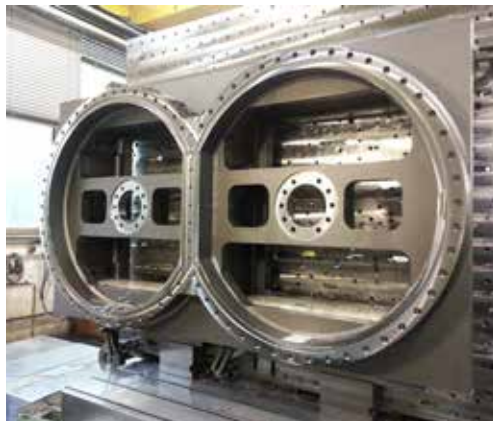
Welding



Turning



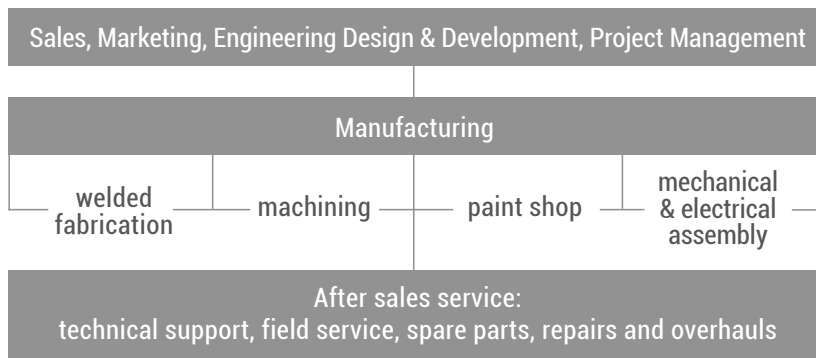
Milling



MSB Schmittwerke

COMPETENCIES

COMPETENCIES



Our customers benefit from decades of expertise in parts processing and in the development and production of our own products. As the best partner for your projects, we manufacture demand-oriented, flexible, fast, efficient and in high quality.

Take advantage of our experience – a team of skilled workers and specialists awaits you!

THE COMPANY

Machines that move. Worldwide. With quality made in Germany. We are a globally active mechanical engineering company and work in the fields of special machine construction, contract manufacturing, electric & control systems as well as IBS mining and tunnelling. As a competent producer and service provider, we are active in all sectors of industry. At the company headquarters in Bischofsheim, around 150 skilled workers and

specialists develop, design, manufacture and assemble special machines as well as workpiece and tool handling systems. In contract manufacturing, we produce machine components for our own needs and on behalf of customers. The IBS division has been supplying roadheaders for mining and tunnelling since 1995. Our know-how in the area of electric & control systems focuses on automation for process optimisation.

Please contact our specialists - It would be our pleasure to talk with you!

CONTACT

Production Manager

Martin Kaufmann | ☎ +49 9772 9111-340

✉ msb.auftragsfertigung@schmittwerke.com

Head of contract manufacturing

Thomas Ruppert | ☎ +49 9772 9111-339

✉ msb.auftragsfertigung@schmittwerke.com



MSB GmbH & Co. KG | Lindenstraße 12 | 97653 Bischofsheim/Rhön | Germany

info@schmittwerke.com | www.schmittwerke.com | ☎ +49 9772 9111-0

Management: Jürgen Enders, Martin Hein

📷 www.instagram.com/msbschmittwerke

📘 www.facebook.com/msbschmittwerke



State 2024/01

Machines that move. With precision.