



Roadheaders

Groundbreaking Solutions

for Mining & Tunnelling

Features | Benefits

Robust, modular design

- Durability
- Ease of transport and assembly

Transverse ripping cutting heads

- Suitable for harder rocks
- Better machine stability
- Greater productivity

Fabricated cutting arm

- Durability
- Cutter motor protection
- Optimum positioning of lift cylinders

Fabricated turret with slewing ring bearing

- Durability
- Low friction
- Optimum positioning of slewing cylinders

Heavy duty hydraulic crawler tracks

- Compact
- Wear resistant
- Low maintenance

State-of-the-art electric and hydraulic controls

- Efficient use of power
- Greater productivity
- Finer control

Water jet dust suppression system

- Operator safety
- Improved visibility
- Greater productivity

Options

TAILORED TO SUIT YOUR APPLICATION

For coal mining

- ATEX certification
- Fire-resistant fluids
- Methane detectors
- Telescopic arch erector with working platform
- Bridge belt conveyors
- Aerosol spraying system
- Roofbolters
- Closed-loop cooling systems

For salt and potash mining

- High production cutting heads
- Slewing belt tail conveyors
- Slewing chain conveyors
- Closed-loop cooling systems

For tunnelling

- Slewing belt tail conveyors
- Closed-loop cooling systems

General

- Loading table extensions
- Operator canopy
- Automatic fire extinguishing system
- Wear protection system (FFS)

- Profile control system
- Radio or cable remote control
- Data storage and transmission
- Water spray system for dust suppression



Aerosol spraying system

Machines that move. With precision.

Specifications

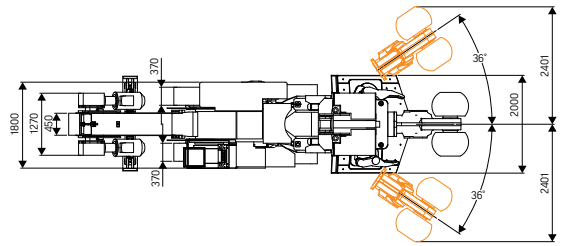
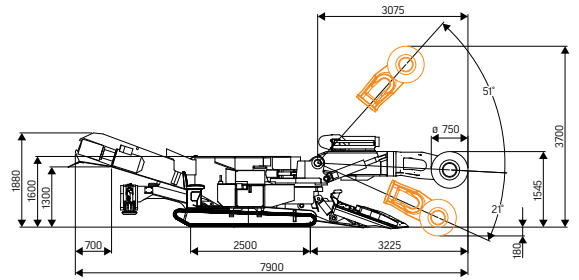
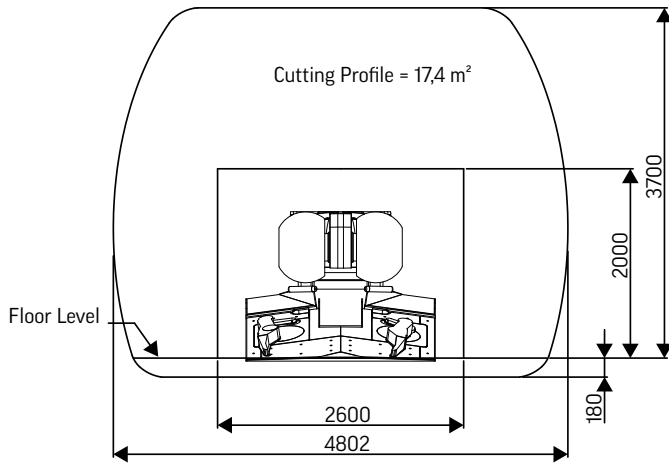
TECHNICAL DATA | IBS ROADHEADERS (50HZ)

MODEL		SM 100	SM 130	SM 150	SM 160
Main Dimensions					
Weight	t	25	35	38	56
Height (main body)	mm	1600	1800	1620	2659
Width (excl. loading table)	mm	1800	2300	2450	2799
Length	mm	7900	8000	8474	9315
Loading table width (min.)	mm	2000	2000	2600	3098
Loading table width (max.)	mm	3000	3000	3080	4053
Conveyor discharge height	mm	1300	1500	1400	1833
Installed Power					
Cutter motor	kW	110	132	150	160
Power pack motor	kW	45	45	52	100
Conveyor motor(s)	kW	2 × 15	2 × 15	1 × 18	1 × 18
Total installed power	kW	185	207	220	268
Hydraulic Power					
Operating pressure (max.)	bar	220	220	220	220
Cutting Profile					
Height (min. / max.)	mm	2000 / 3700	2300 / 4080	2300 / 4250	2792 / 4420
Width (min. / max.)	mm	2600 / 4950	3600 / 4950	3700 / 5600	4700 / 6518
Undercut	mm	180	180	200	268
Cross section (max.)	m ²	17,4	19,4	22,9	28
Cutting Heads					
Pick tip speed	m / s	2,97	2,97	2,97	3,50
Conveyor					
Chain speed	m / s	0,9	0,9	0,9	1,20
Width	mm	450	450	570	500
Height (min.)	mm	375	375	315	400
Capacity (theor.)	m ³ / h	110	110	160	220
Crawler Track					
Tramming speed (max.)	m / min	6	6	10	10
Ground pressure	MPa	0,12	0,15	0,16	0,17
Operating Limits					
To the rise/ dip	gon	20 / 20	20 / 20	20 / 20	20 / 20
	deg.	18° / 18°	18° / 18°	18° / 18°	18° / 18°
Cross gradient	gon	6	6	6	6
	deg.	5°	5°	5°	5°
Transport Dimensions					
Largest component (L × B × H)	mm	2350 × 2000 × 700	2350 × 2000 × 700	3169 × 2247 × 888	4850 × 1260 × 1400
Weight	t	4	4	6,5	7,5
Supply Requirements					
Electric power (transformer)*	kVA	500	630	750	1000
Electric power (generator)*	kVA	700	950	1000	1250

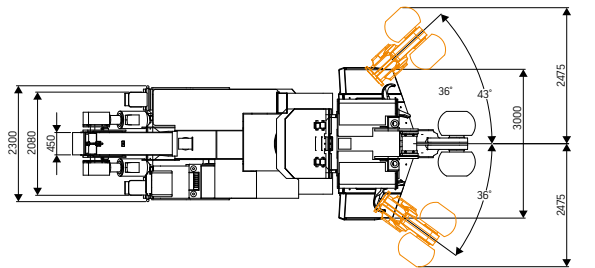
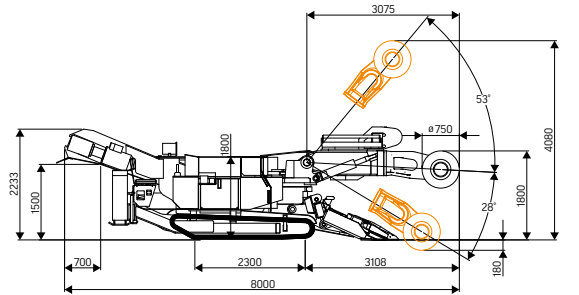
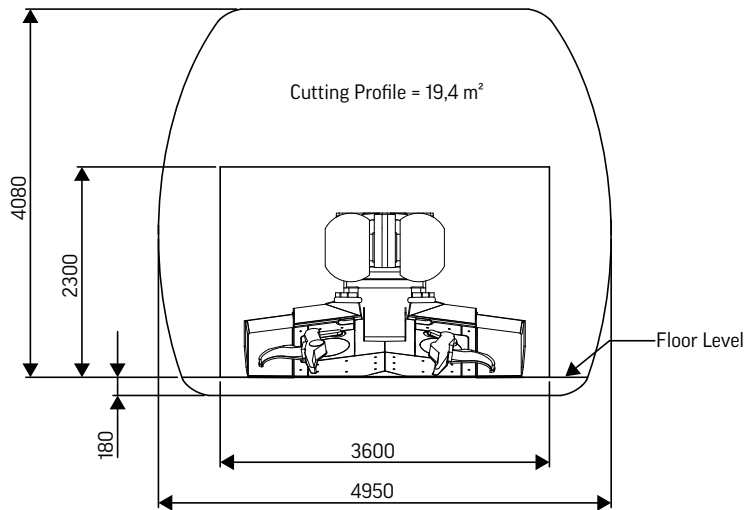
* max. permissible voltage fluctuation 10 %

Overall Dimensions

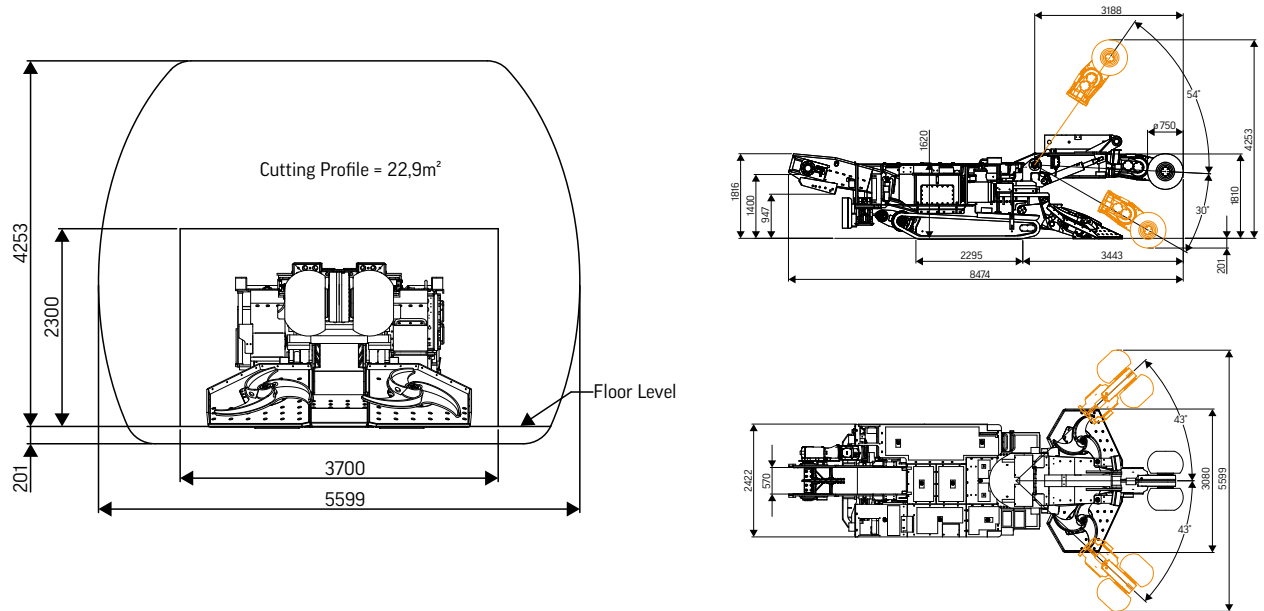
SM 100



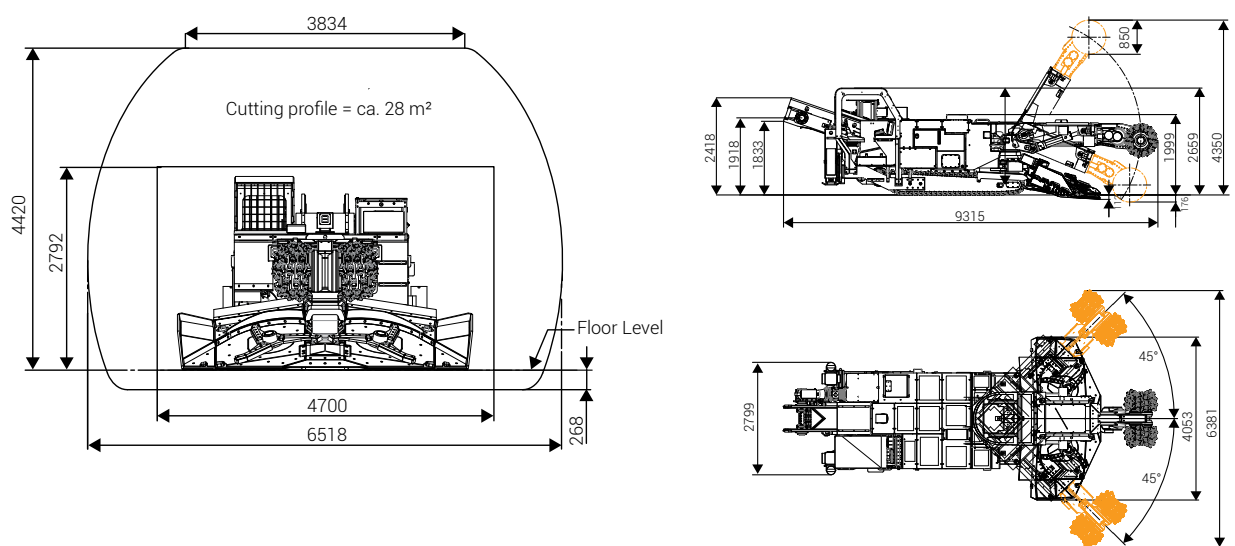
SM 130



SM 150



SM 160



IBS

A BRAND OF MSB GMBH & CO. KG

IBS MINING & TUNNELLING IS A BRAND OF MSB SCHMITTWERKE (MSB GMBH & CO. KG).

MSB is a mechanical engineering company with family traditions based in Bischofsheim in the heart of Germany. We offer machining and fabrication services and market a range of innovative engineering products worldwide. Our target markets are the automotive and aviation industries as well as mining and tunnelling. The IBS Division has been supplying roadheaders for mining and tunnelling since 1995.

THE FOUR DIVISIONS OF MSB SCHMITTWERKE

Special Machinery | Contract Manufacturing
IBS Mining and Tunnelling | Electrical & Control Systems

OUR AIM IS NOT JUST TO SATISFY BUT ALSO TO INSPIRE OUR CUSTOMERS. To this end we see ourselves as highly qualified advisors with an extraordinary degree of specialist know-how offering bespoke solutions within a flexible and efficient framework. We have a solid base of loyal customers offering first class references. Our products bear the label "Made in Germany" representing the highest standards for quality and service and offering best value for both customer and supplier.

Facts and Figures

- approx. 160 employees at two locations
- global precepts
- sales and service partners worldwide

MSB operate a QM system certified to DIN EN ISO 9001:2015, is certified to DIN EN ISO 3834-2, Cert.-No. TÜV SÜD-W-0606.2017.003, DIN EN 1090-2, EXC2, Cert.-No. TÜV SÜD-00610.2017.003 for welding and have qualified personnel for non-destructive testing.

Management Team

Martin Hein
Jürgen Enders

MSB GmbH & Co. KG

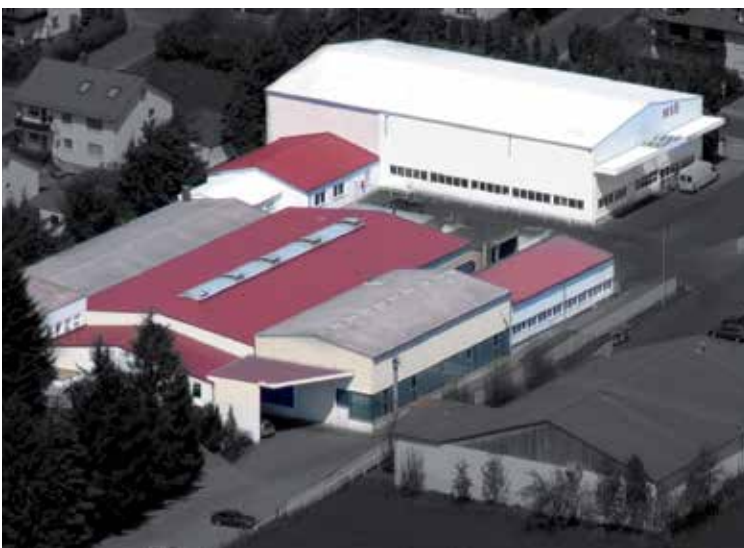
Lindenstrasse 12
97653 Bischofsheim i.d. Rhön
Germany

Phone +49 9772 / 91 11 - 0
Facs +49 9772 / 91 11 - 778
www.schmittwerke.com
ibs.sales@schmittwerke.com

Please contact us.

It would be our pleasure to talk to you!

Status 10/2021



Schmittwerke 1, City centre Bischofsheim



Schmittwerke 2, Industrial area Bischofsheim